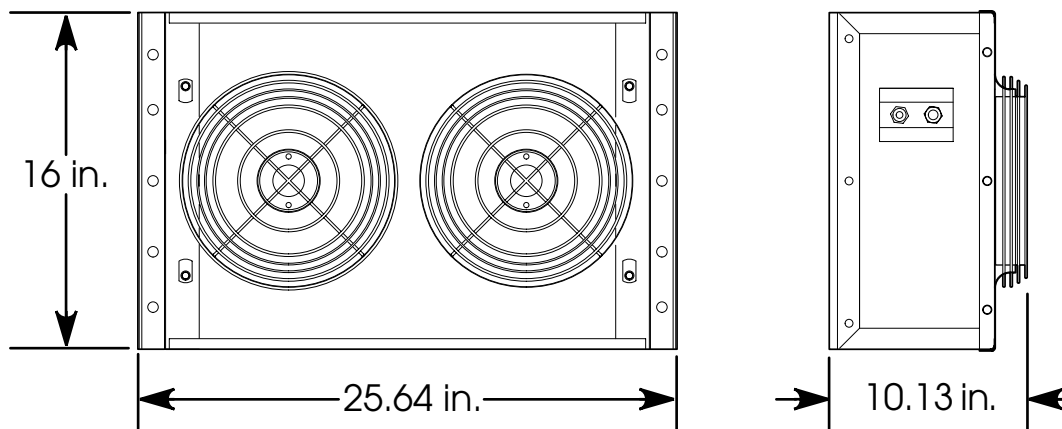


Red Dot Remote Mount Condenser R-9725 Series

TECHNICAL SALES BULLETIN AND SERVICE PARTS LIST

DIMENSIONS

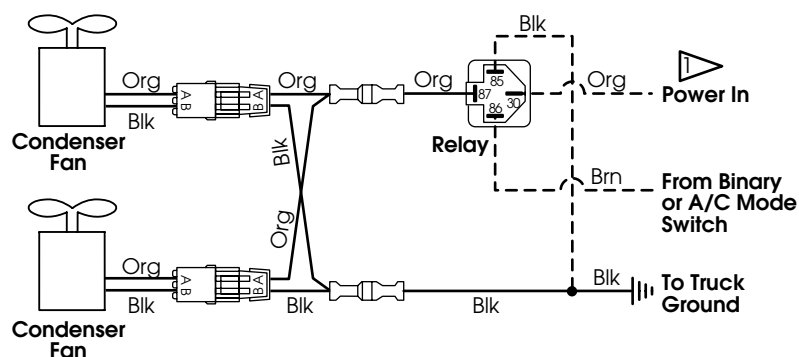


SPECIFICATIONS

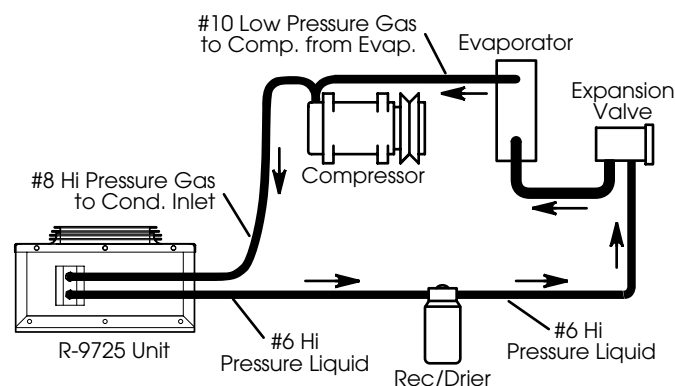
Capacity:	33,000 (97 KW) BTU/Hr @ 150°F (65.6°C) Condensing Temp. and 100°F (37.8°) Entering Air
Air Flow:	850 CFM (24.1 M ³ /Min)
Current Draw:	20 Amps @ 13.6 Volts D.C. 10 Amps @ 27.2 Volts D.C.
Condenser Coil:	Copper Tubing, Aluminum Fins and Plated Steel Headers
Motor:	Single Speed, Long Life Sealed With Pre-Lubricated Bearings
Fan:	Two 8" Dia., 5 Bladed Fans Producing 850 CFM



SCHEMATICS

ELECTRICAL SCHEMATIC



PLUMBING SCHEMATIC



 USE 30 AMP FUSE OR CIRCUIT BREAKER FOR 12V SYSTEMS (CUSTOMER SUPPLIED)
 USE 15 AMP FUSE OR CIRCUIT BREAKER FOR 24V SYSTEMS (CUSTOMER SUPPLIED)
 --- HIDDEN LINES INDICATE CUSTOMER SUPPLIED COMPONENTS